

RL4803/04 transmitter

Pro RL4800 Series

Part of the **Hanwell Pro RL4800** series, the RL4803/04 is a digital radio transmitter for use internally or externally. Each unit includes a steel bracket for mounting purposes.

Features

- ✓ Digital single/dual input for pump, machine, level and door alerts
- ✓ Up to 18 months battery life
- ✓ Superior performance hardware & high accuracy sensors
- ✓ Easily accessible battery
- ✓ Low power radio for long distance transmission (3km over open ground)
- ✓ Complies with RoHS, EU & WEEE directives
- ✓ Carries CE Marking

Typical Applications

- Level measurement
- Door open/close alerts
- Machine on/off alerts

Always ask for a long-range signal strength test.



We can prove ours to be unrivalled.

Technical specification

| | |
|--------------------------------|--|
| Dimensions | 150 x 88 x 50mm |
| Weight | 485 grams |
| Power supply | 3.6V AA Lithium battery |
| Battery life | Up to 18 months (dependent on conditions of use and instrument settings) |
| Cable length | 3m with bare ends (as shown in image) |
| Case material | ASA & PC |
| Instrument operating range | -20°C to +60°C (non-condensing RH environment) |
| Instrument storage Temperature | -40°C to +60°C |
| IP Rating | IP65 |

Product codes

| | |
|--------|--------------------|
| RL4803 | Single channel |
| RL4804 | Dual channel |
| 88706 | AA Lithium battery |



Pump



Machine



Level



Door



Airflow

Photo shows RL4803-434.075 single channel (other frequencies are available)

Radio transmitter functions

| | |
|------------------------|--|
| Frequency options | A range of frequencies are available between 433-458MHz. Country specific regulations apply. |
| Radio power | 10mW |
| Radio range | Up to 3km over open ground |
| Software required | W900 – Standard EMS Software Package W906 – Validated EMS Software Package *See EMS datasheet for further options |
| Software compatibility | RL4803: RL4803 units are compatible with: RadioLog 8, EMS 1.0.10 or later and EMS 2.0.3 or later. To operate with any earlier versions of EMS or Synergy, add the Units as Dual Digital. RL4804: EMS - All Versions Synergy - All Versions RadioLog 8 |
| Hardware required | SR2 – Smart Receiver REP – Repeater |

Input

| | |
|--------------------------|--|
| Input | Volt free |
| Maximum load capacitance | 10nF |
| Wetting current | Min 1mA |
| Measuring frequency | 1s |
| Transmit interval | User programmable 30s-300s on a state change |

Manufactured by Ellab Monitoring Solutions



RoHS



Version 5 - EC210080

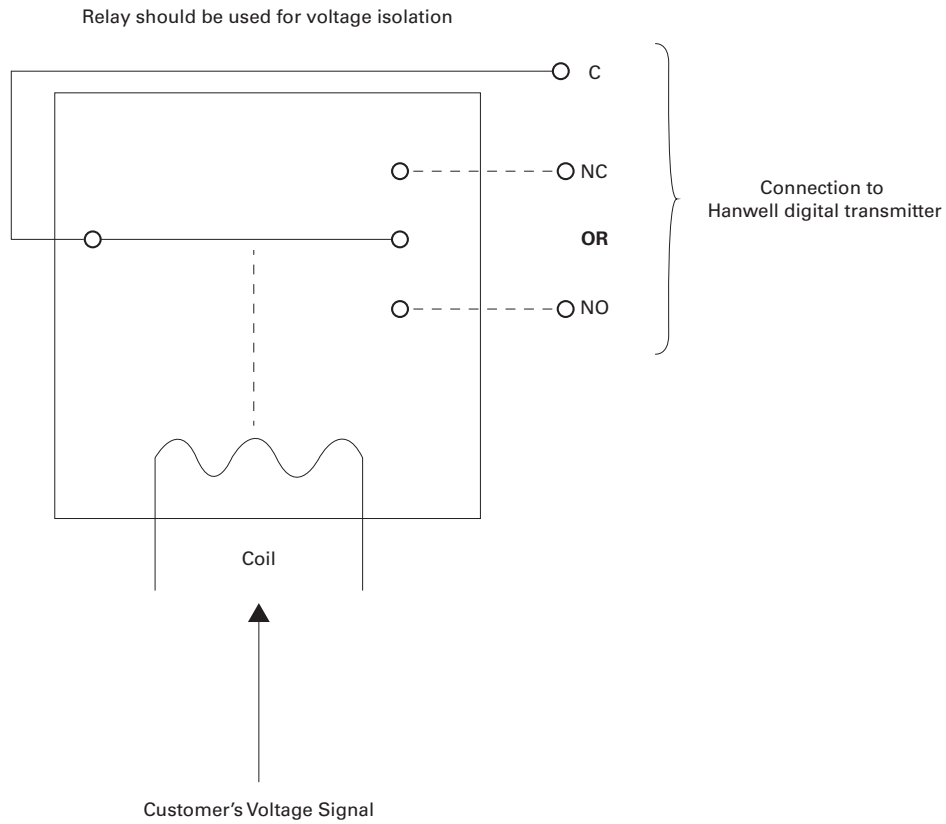
Disclaimer: The information contained herein is believed to be reliable. Ellab Monitoring Solutions Ltd is not responsible for any incorrect or incomplete information on this datasheet and the information or product may be changed without notice. Customers should obtain and verify the latest relevant information before placing orders for Hanwell products.

hanwell.com

Tel: +44 (0)1462 688070 | Email: sales.hanwell@ellab.com

Relay schematic

Note: Ensure the relay is suitable for this application e.g. if fitted with a snubber the capacitance is 10nF or less and the contacts are volt free.



Warning: There will be an overall delay of up to 2 minutes from transmitting a state change to a reaction being generated in the central monitoring system. If using SMS there may be a further delay through external third party phone providers.